



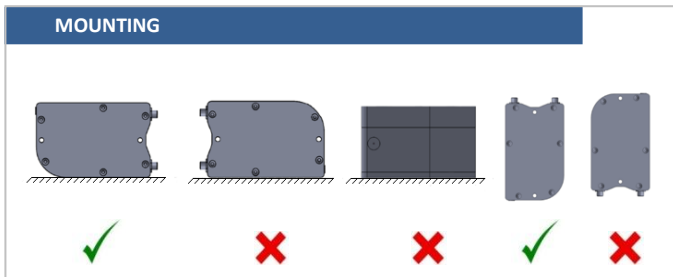
AWP 820 Series String Potentiometers: Wire actuated transducers

- Measurement length from 6000 mm up to 10.000 mm
- Maximum 42 VDC Power Supply
- Large size
- High strength stainless steel wire
- 0,5 m/s maximum speed
- IP67 Protection class
- Shock/Vibration resistant
- 3 meters cable
- Aluminum anodized body

AWP820 series string potentiometers are cable actuated position sensors which convert linear movement to potentiometric output. AWP820 wire transducers are conveniently used in outdoor environments with IP67 protection class or IP68.

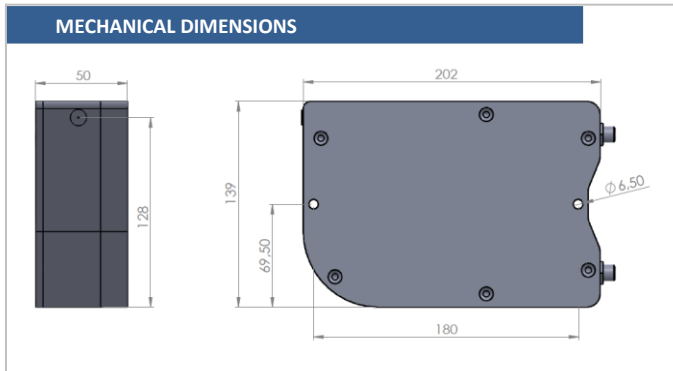
Another main feature of this model is the option of dual potentiometer inside, which enables the sensor to continue measuring even if one potentiometer fails due to any reason.

There are different stroke lengths up to 10.000 mm, used in many different applications such as hydraulic cylinders, factory automation, medical devices, structural testing, robotics and main industrial machinery.


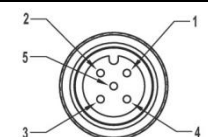


TECHNICAL SPECIFICATIONS

Power Supply	Potentiometric : +5...42VDC 4..20mA, 0..10V: +24VDC CANopen : +10...30VDC
Stroke Length	6000 , 7000 , 8000 , 10.000 mm (Please ask us for other)
Maximum Speed	0,5 m/s
Resistance	5K Ω or optional 10K Ω
Output	Potentiometric, 4..20mA, 0..10V or CANopen
Linearity	$\pm 0,25$ % FS
Protection Class	IP67
Process Temperature	- 40 to +85 °C
Relative Humidity	%10 to %90
Weight	< 3200 grams
Electrical Connection	M12 Socket or standard 3 meters cable (Please ask us for other)



Signal	M12 Socket	Cable
NC	Pin 1	Shield
+ Power Supply	Pin 2	Red
0 V	Pin 3	Black
Signal Output	Pin 4	Yellow
NC	Pin 5	Green

PRODUCT CODING

Model AWP 820	Resistance 5K : 5K Ω (Please ask us for other)	Output Signals No Code : Potentiometric V : 0-10 VDC Analog Voltage A : 4-20 mA Analog Current C : CANOpen (CiA DS406)
AWP820	5K	
XXX	3M	
Stroke Length 6000 : 6000 mm 7000 : 7000 mm 8000 : 8000 mm 10000 : 10000 mm	Cable Length S12 : M12 Socket 3M : 3 meters (standard) 5M : 5 meters 10M : 10 meters	